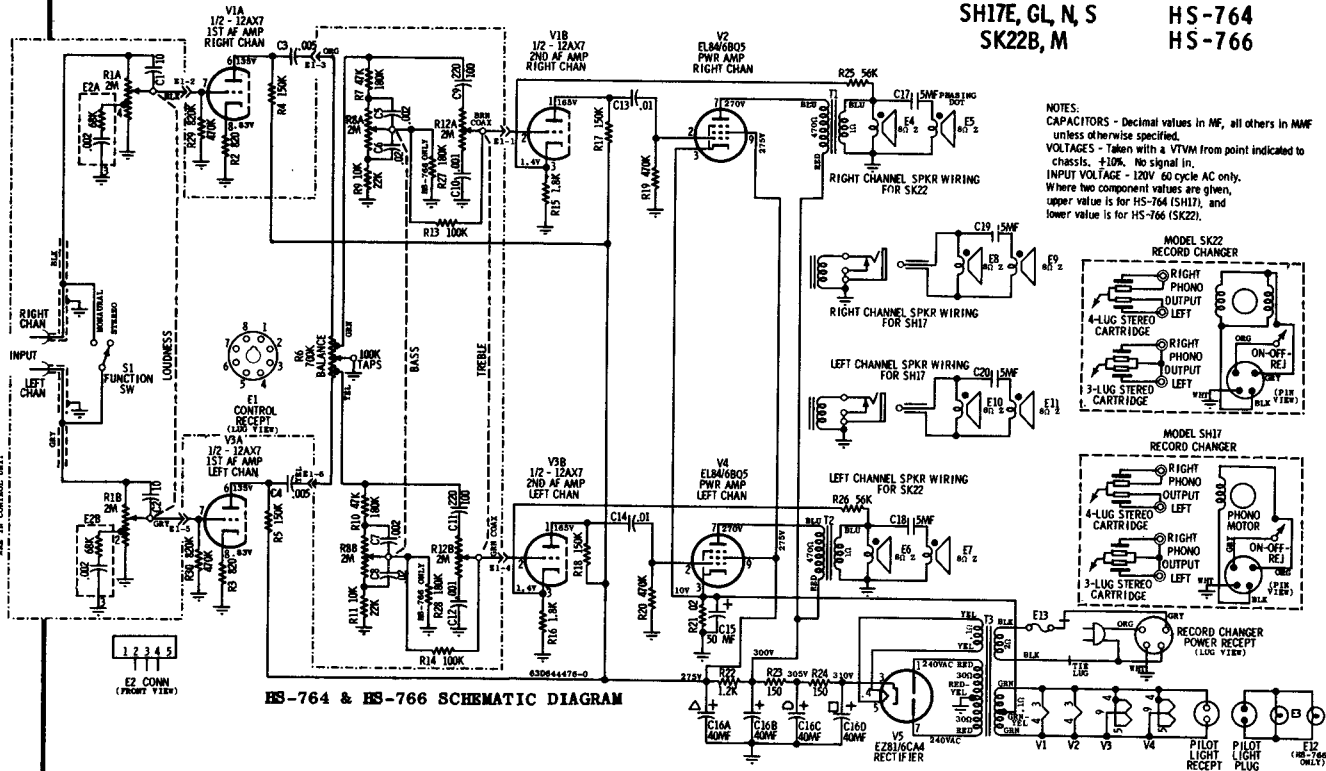


MOTOROLA

MODELS SH17E, G1, N, S
SK22B, M

CHASSIS HS-764
HS-766



NOTES:
CAPACITORS - Decimal values in MF, all others in MMF unless otherwise specified.
VOLTAGES - Taken with a VTVM from point indicated to chassis. $\pm 10\%$. No signal in.
INPUT VOLTAGE - 120V 60 cycle AC only. Where two component values are given, upper value is for HS-764 (SH17), and lower value is for HS-766 (SK22).

CHASSIS REMOVAL (MODEL SH17)

1. Remove the screws that mount the control panel housing from side of cabinet and the record changer mounting board.
2. Lift up control panel housing so that control plug (plugged into chassis) is accessible; unplug control plug from receptacle and place control panel housing on record changer mounting board (so that it is out of the way).

3. Lift up record changer mounting board so that phono power receptacle is accessible; unplug phono power plug from receptacle.
4. Unplug pilot light plug connected to chassis.
5. Remove nuts that mount left and right channel speaker output jacks.
6. Remove 6 chassis mounting nuts and remove chassis from cabinet.